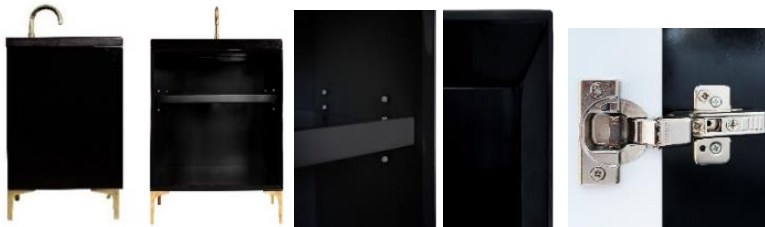




Shown in PB







## VAN24B-018-04

24" BLACK MOTHER OF PEARL WITH 18" ARTISAN GLASS HARDWARE BLACK PYRAMID GLASS

### DETAILS

- Cabinet with Gloss Finish
- Full Finished Back
- Adjustable Interior Shelf
- 3 Way Adjustable European Soft Close Hinges
- OD: W 24" x D 22"
- Vanities are Hand-crafted

### HARDWARE AND LEG FINISH OPTIONS

	<b>PB</b>	Polished Brass		<b>PN</b>	Polished Nickel
	<b>SB</b>	Satin Brass		<b>SN</b>	Satin Nickel

### 24" VANITY TOP OPTIONS

(Vanity Top Sold Separately See Vanity Top Spec Sheet for Details)

### Outside Dimensions W 24" D 22" H 1.5"

(Vanity Top includes 4" Backsplash)

<b>VT24W-01</b>	14" x 14" Sink Cutout with 1 Faucet Hole
<b>VT24W-03</b>	14" x 14" Sink Cutout with 3 Faucet Holes

### INSTALLATION

We recommend consulting a professional if you are unfamiliar with installing bathroom fixtures and plumbing. Linkasink accepts no liability for any damage to the floor, walls, plumbing, or personal injury during installation.

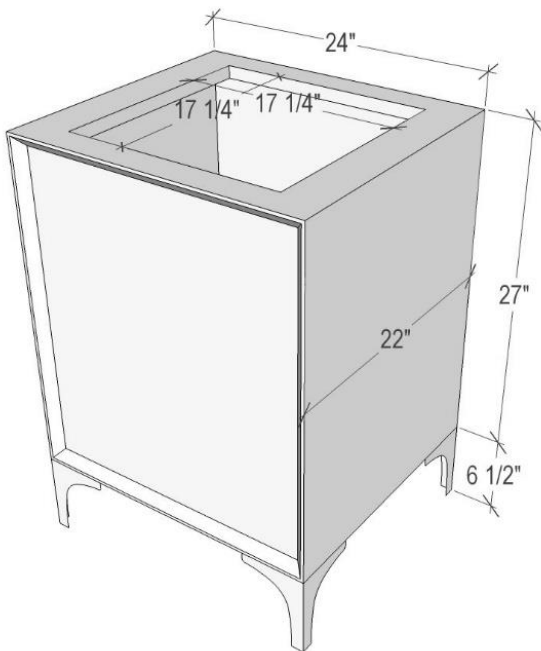
### CARE

Clean vanity, hardware, and countertop with a soft cloth dampened with water. Avoid any harsh abrasives and harsh chemicals/acidic cleaning products.

For hardware: A clear paste wax may be applied periodically to protect the finish and help with water spotting.

### WARRANTY

Linkasink warranties our product to be free from manufacturing defect for the life of the product. Warranty does not cover improper care, neglect, abuse or normal wear-and-tear.



### DIMENSIONS WILL VARY

**DO NOT** use this sheet as a guide for countertop cuts. Due to the handmade nature of each product, templates are not provided.