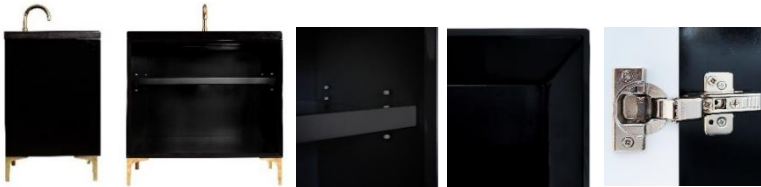




Shown in PB





## VAN30B-023-BRS

30" BLACK LINEA WITH 3" ARTISAN GLASS HARDWARE  
ÉGLOMISÉ PRISM GLASS

### DETAILS

Cabinet with Gloss Finish  
Full Finished Back  
Adjustable Interior Shelf  
3 Way Adjustable European Soft Close Hinges  
OD: W 30" x D 22"  
Vanities are Hand-crafted

### HARDWARE AND LEG FINISH OPTIONS

|   |           |                |
|---|-----------|----------------|
|  | <b>PB</b> | Polished Brass |
|  | <b>SB</b> | Satin Brass    |

### 30" VANITY TOP OPTIONS

(Vanity Tops Sold Separately, See Vanity Top Spec Sheet for Details)

**Outside Dimensions: W 30" D 22" H 1.5"**

(Vanity Top includes 4" Backsplash)

|                 |   |
|-----------------|---|
| <b>VT30W-01</b> | 18" x 12" Sink Cutout with 1 Faucet Hole  |
| <b>VT30W-03</b> | 18" x 12" Sink Cutout with 3 Faucet Holes |

### INSTALLATION

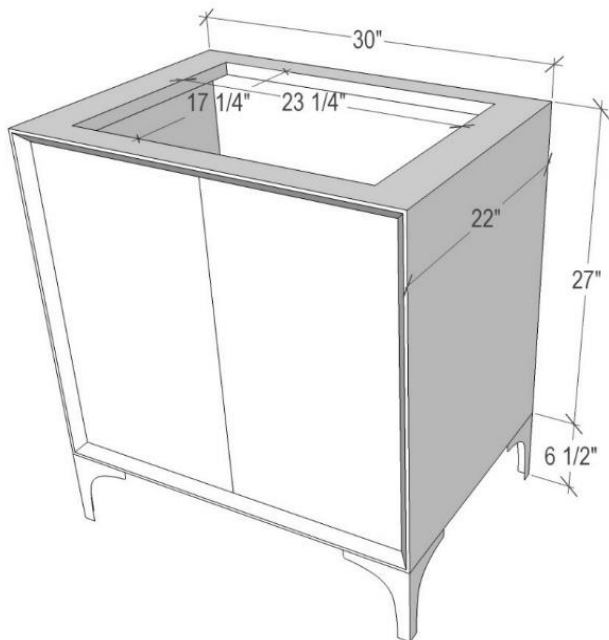
We recommend consulting a professional if you are unfamiliar with installing bathroom fixtures and plumbing. Linkasink accepts no liability for any damage to the floor, walls, plumbing, or personal injury during installation.

### CARE

Clean vanity, hardware, and countertop with a soft cloth dampened with water. Avoid any harsh abrasives and harsh chemicals/acidic cleaning products.  
For hardware: A clear paste wax may be applied periodically to protect the finish and help with water spotting.

### WARRANTY

Linkasink warranties our product to be free from manufacturing defect for the life of the product. Warranty does not cover improper care, neglect, abuse or normal wear-and-tear.



### DIMENSIONS WILL VARY

**DO NOT** use this sheet as a guide for countertop cuts. Due to the handmade nature of each product, templates are not provided.